

# ASAHI



JP-1973



JQA-1973

## BALL BEARING UNITS

**SILVER** series, Eccentric locking collar type · Set-screw type

**STAINLESS SILVER** series, Eccentric locking collar type

*A key to cost-energy-space  
saving machine designs!*



- **QUICK, ACCURATE POSITIONING BY CENTER-LINE MARKS**

Center-line marks provided on housing offer easy, quick and exact positioning, eliminating need for adjustment after mounting. For positioning, just scribe the lines on supporting frame and match them with the center-line marks.

- **COMPACT & LIGHT-WEIGHTED**

This feature permits high performance and more space-saving machine and equipment designs.

- **EASY & QUICK TO MOUNT**

Eccentric locking collar or set-screw ensures fast and positive locking of bearing to the shaft.

- **HIGH SEALING EFFICIENCY**

Bearings are effectively sealed. For added protection against dust and humid, units fitted with stainless steel end covers are also available.

- **HIGH ANTI-CORROSIVENESS (STAINLESS SILVER series)**

Suitable for applications under adverse environmental conditions.

- **HIGH SPEED OPERATION**

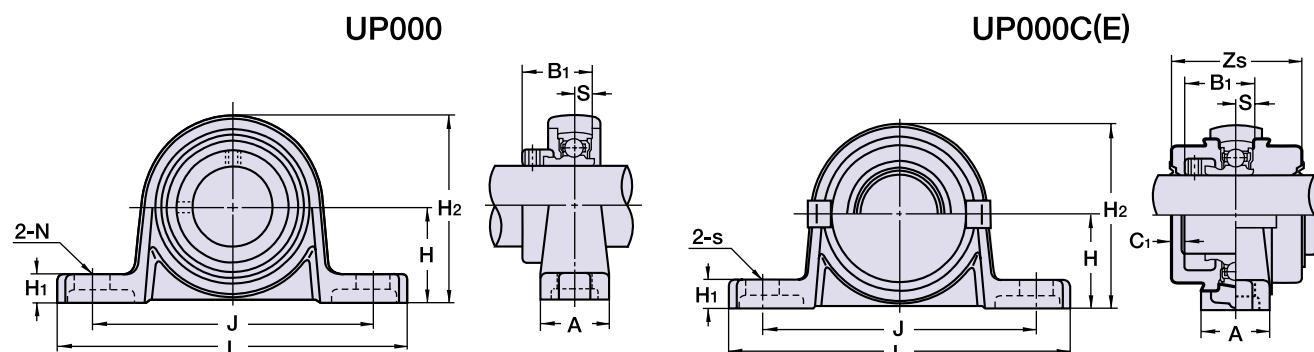
Compact bearing design permits high speed operation.

## ASAHI SEIKO CO., LTD.

# Pillow blocks Eccentric locking collar type

UP000 type

UP000C(E) type



| Shaft dia. (mm) | Unit No. | Dimensions (mm) |     |     |    |     |                |                |                |     |                |                | Mounting bolt size |
|-----------------|----------|-----------------|-----|-----|----|-----|----------------|----------------|----------------|-----|----------------|----------------|--------------------|
|                 |          | H               | L   | J   | A  | N   | H <sub>1</sub> | H <sub>2</sub> | B <sub>1</sub> | S   | C <sub>1</sub> | Z <sub>s</sub> |                    |
| 8               | ※ UP08   | 15              | 55  | 42  | 13 | 4.8 | 5              | 29             | 15             | 3.5 | —              | —              | M 4                |
| 10              | UP000    | 18              | 67  | 53  | 16 | 7   | 6              | 35             | 17.5           | 4   | 2              | 33             | M 6                |
| 12              | UP001    | 19              | 71  | 56  | 16 | 7   | 6              | 38             | 17.5           | 4   | 2              | 33             | M 6                |
| 15              | UP002    | 22              | 80  | 63  | 16 | 7   | 7              | 43             | 18.5           | 4.5 | 2              | 34             | M 6                |
| 17              | UP003    | 24              | 85  | 67  | 18 | 7   | 7              | 47             | 20.5           | 5   | 2              | 38             | M 6                |
| 20              | UP004    | 28              | 100 | 80  | 20 | 10  | 9              | 55             | 24.5           | 6   | 3              | 46             | M 8                |
| 25              | UP005    | 32              | 112 | 90  | 20 | 10  | 10             | 62             | 25.5           | 6   | 3              | 47             | M 8                |
| 30              | UP006    | 36              | 132 | 106 | 26 | 13  | 11             | 70             | 26.5           | 6.5 | 4              | 50             | M10                |

| Bearing     |                        | Housing No. | Unit No. with covers | Stainless steel cover No. |          | Weight (g) |        |            |
|-------------|------------------------|-------------|----------------------|---------------------------|----------|------------|--------|------------|
| Bearing No. | Basic load rating (kN) |             |                      | Open(closed)              | Open     | Closed     | Normal | With cover |
|             |                        |             |                      |                           |          |            |        |            |
| U08 +ER     | 3.35                   | 1.67        | ※ P08                | —                         | —        | —          | 47     | —          |
| U000 +ER    | 4.6                    | 2           | P000                 | UP000C(E)                 | 000CP10  | 000CPE     | 77     | 85         |
| U001 +ER    | 5.1                    | 2.4         | P001                 | UP001C(E)                 | 001CP12  | 001CPE     | 91     | 100        |
| U002 +ER    | 5.6                    | 2.8         | P002                 | UP002C(E)                 | 002CP15  | 002CPE     | 125    | 135        |
| U003 +ER    | 6                      | 3.3         | P003                 | UP003C(E)                 | 003CP17  | 003CPE     | 156    | 170        |
| U004 +ER    | 9.35                   | 5.1         | P04-5                | UP004C(E)                 | 04-5CP20 | 04-5CPE    | 230    | 250        |
| U005 +ER    | 10.1                   | 5.8         | P05-6                | UP005C(E)                 | 05-6CP25 | 05-6CPE    | 294    | 315        |
| U006 +ER    | 13.2                   | 8.3         | P06-7                | UP006C(E)                 | 06-7CP30 | 06-7CPE    | 454    | 480        |

Note: ※For availability of UP08, please check with us.

Cr: Dynamic load rating, Cor: Static load rating

## ●Tolerances

In conformity with JIS B 1558 on ball bearings for units and JIS B 1559 on housings for bearing units.

## ●Operating temperature range

−10°C to +80°C. For operating temperature beyond this range, please consult us.

## ●Shaft selection

Unit: μm

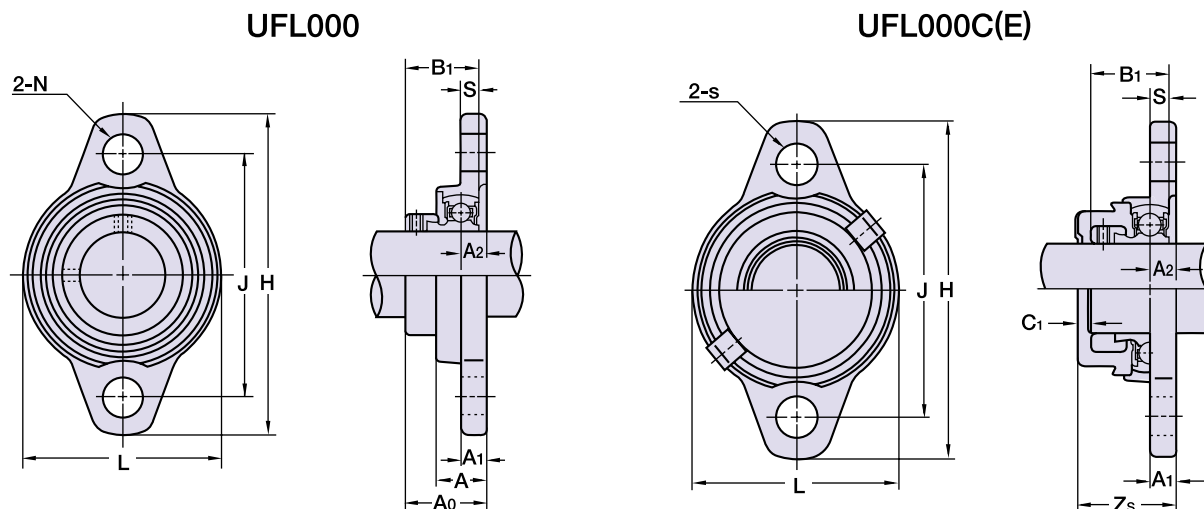
| Shaft dia. (mm) |       | js7    | h7    |
|-----------------|-------|--------|-------|
| Over            | Incl. |        |       |
| 6               | 10    | ± 7.5  | 0~−15 |
| 10              | 18    | ± 9    | 0~−18 |
| 18              | 30    | ± 10.5 | 0~−21 |
| 30              | 50    | ± 12.5 | 0~−25 |

Note: Use tight fit for applications involving high speed and vibration.

## Two-bolt flange units Eccentric locking collar type

UFL000 type

UFL000C(E) type



| Shaft dia. (mm) | Unit No. | Dimensions (mm) |    |     |     |      |     |    |      |      |     |    |    | Mounting bolt size |
|-----------------|----------|-----------------|----|-----|-----|------|-----|----|------|------|-----|----|----|--------------------|
|                 |          | H               | J  | A1  | A2  | A    | N   | L  | A0   | B1   | S   | C1 | Zs |                    |
| 8               | UFL08    | 48              | 37 | 4.5 | 4   | 8.5  | 4.8 | 27 | 16   | 15   | 3.5 | —  | —  | M 4                |
| 10              | UFL000   | 60              | 45 | 5.5 | 5.5 | 11.5 | 7   | 36 | 19   | 17.5 | 4   | 2  | 22 | M 6                |
| 12              | UFL001   | 63              | 48 | 5.5 | 5.5 | 11.5 | 7   | 38 | 19   | 17.5 | 4   | 2  | 22 | M 6                |
| 15              | UFL002   | 67              | 53 | 6.5 | 6.5 | 13   | 7   | 42 | 20.5 | 18.5 | 4.5 | 2  | 24 | M 6                |
| 17              | UFL003   | 71              | 56 | 7   | 7   | 14   | 7   | 46 | 22.5 | 20.5 | 5   | 2  | 26 | M 6                |
| 20              | UFL004   | 90              | 71 | 8   | 8   | 16   | 10  | 55 | 26.5 | 24.5 | 6   | 3  | 31 | M 8                |
| 25              | UFL005   | 95              | 75 | 8   | 8   | 16   | 10  | 60 | 27.5 | 25.5 | 6   | 3  | 32 | M 8                |
| 30              | UFL006   | 112             | 85 | 9   | 9   | 18   | 13  | 70 | 29   | 26.5 | 6.5 | 4  | 34 | M10                |
| 35              | UFL007   | 122             | 95 | 10  | 10  | 20   | 13  | 80 | 32.5 | 29.5 | 7   | 4  | 38 | M10                |

| Bearing     |                        | Housing No. | Unit No. with covers | Stainless steel cover No. |          | Weight (g) |        |            |
|-------------|------------------------|-------------|----------------------|---------------------------|----------|------------|--------|------------|
| Bearing No. | Basic load rating (kN) |             |                      | Open (closed)             | Open     | Closed     | Normal | With cover |
|             | Cr                     | Cor         |                      |                           |          |            |        |            |
| U08 + ER    | 3.35                   | 1.67        | FL08                 | —                         | —        | —          | 30     | —          |
| U000 + ER   | 4.6                    | 2           | FL000                | UFL000C(E)                | 000CP10  | 000CPE     | 60     | 65         |
| U001 + ER   | 5.1                    | 2.4         | FL001                | UFL001C(E)                | 001CP12  | 001CPE     | 76     | 80         |
| U002 + ER   | 5.6                    | 2.8         | FL002                | UFL002C(E)                | 002CP15  | 002CPE     | 100    | 105        |
| U003 + ER   | 6                      | 3.3         | FL003                | UFL003C(E)                | 003CP17  | 003CPE     | 129    | 135        |
| U004 + ER   | 9.35                   | 5.1         | FL04-5               | UFL004C(E)                | 04-5CP20 | 04-5CPE    | 205    | 215        |
| U005 + ER   | 10.1                   | 5.8         | FL05-6               | UFL005C(E)                | 05-6CP25 | 05-6CPE    | 244    | 255        |
| U006 + ER   | 13.2                   | 8.3         | FL06-7               | UFL006C(E)                | 06-7CP30 | 06-7CPE    | 354    | 370        |
| U007 + ER   | 15.9                   | 10.3        | FL07-8               | UFL007C(E)                | 07-8CP35 | 07-8CPE    | 498    | 520        |

### ● Recommended tightening torque of set screws of eccentric collar and axial load capacity

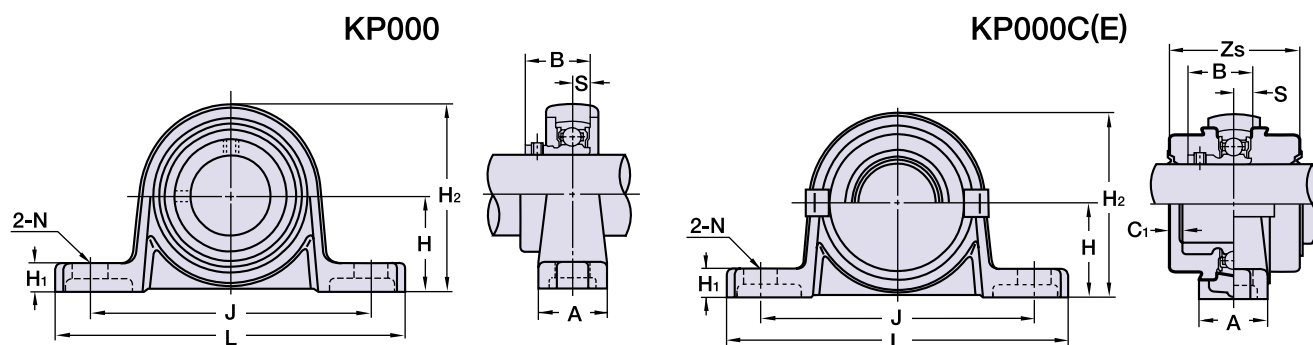
| Applicable bearing Nos. | Set-screw No. | Hexagon key No. | Tightening torque (N cm) | Axial load capacity (N) |
|-------------------------|---------------|-----------------|--------------------------|-------------------------|
| U08                     | M3×0.5        | 1.5             | 59                       | 390                     |
| U000~U003, MU000~MU003  | M4×0.7        | 2               | 147                      | 880                     |
| U004~U006, MU004~MU006  | M5×0.8        | 2.5             | 294                      | 1760                    |
| U007                    | M6×0.75       | 3               | 490                      | 2940                    |

Note: As the operating radial load increases, the axial load carrying capacity also increases.

**Pillow blocks Set-screw type**

KP000 type

KP000C(E) type



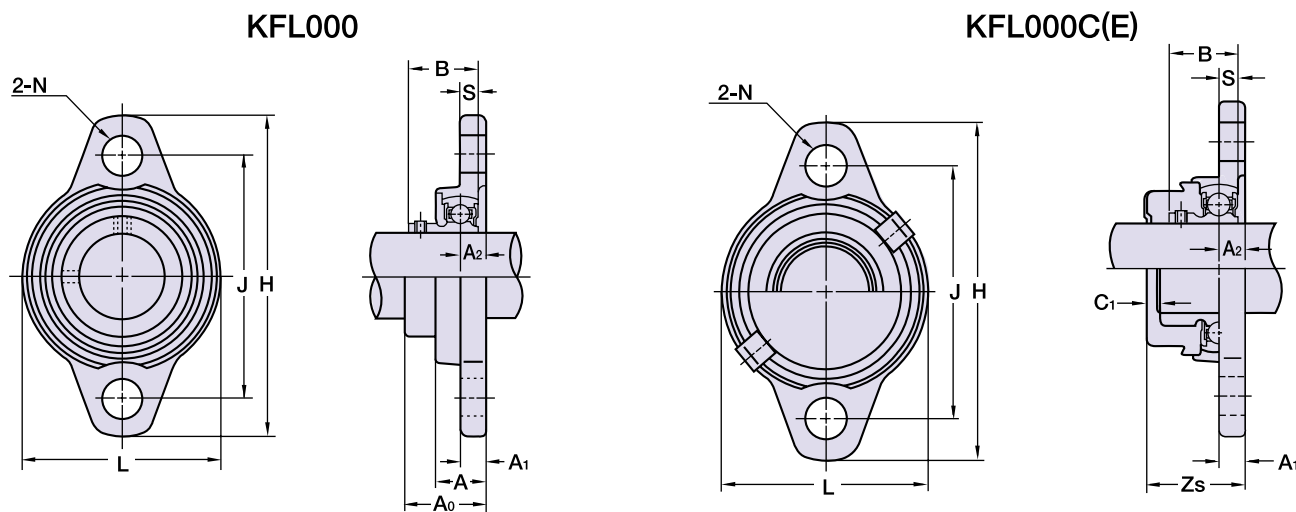
| Shaft dia. (mm) | Unit No. | Dimensions (mm) |     |     |    |    |                |                |      |     |                |                | Mounting bolt size |
|-----------------|----------|-----------------|-----|-----|----|----|----------------|----------------|------|-----|----------------|----------------|--------------------|
|                 |          | H               | L   | J   | A  | N  | H <sub>1</sub> | H <sub>2</sub> | B    | S   | C <sub>1</sub> | Z <sub>s</sub> |                    |
| 10              | KP000    | 18              | 67  | 53  | 16 | 7  | 6              | 35             | 14   | 4   | 5.5            | 33             | M 6                |
| 12              | KP001    | 19              | 71  | 56  | 16 | 7  | 6              | 38             | 14.5 | 4   | 5              | 33             | M 6                |
| 15              | KP002    | 22              | 80  | 63  | 16 | 7  | 7              | 43             | 16.5 | 4.5 | 4              | 34             | M 6                |
| 17              | KP003    | 24              | 85  | 67  | 18 | 7  | 7              | 47             | 17.5 | 5   | 5.5            | 38             | M 6                |
| 20              | KP004    | 28              | 100 | 80  | 20 | 10 | 9              | 55             | 21   | 6   | 7              | 46             | M 8                |
| 25              | KP005    | 32              | 112 | 90  | 20 | 10 | 10             | 62             | 22.5 | 6   | 6              | 47             | M 8                |
| 30              | KP006    | 36              | 132 | 106 | 26 | 13 | 11             | 70             | 24.5 | 6.5 | 6              | 50             | M10                |

| Bearing     |                        | Housing No. | Unit No. with covers | Stainless steel cover No. |          | Weight (g) |        |            |
|-------------|------------------------|-------------|----------------------|---------------------------|----------|------------|--------|------------|
| Bearing No. | Basic load rating (kN) |             |                      | Open (closed)             | Open     | Closed     | Normal | With cover |
|             | Cr                     | Cor         |                      |                           |          |            |        |            |
| K000        | 4.6                    | 2           | P000                 | P000C(E)                  | 000CP10  | 000CPE     | 70     | 78         |
| K001        | 5.1                    | 2.4         | P001                 | P001C(E)                  | 001CP12  | 001CPE     | 80     | 89         |
| K002        | 5.6                    | 2.8         | P002                 | P002C(E)                  | 002CP15  | 002CPE     | 120    | 130        |
| K003        | 6                      | 3.3         | P003                 | P003C(E)                  | 003CP17  | 003CPE     | 140    | 154        |
| K004        | 9.35                   | 5.1         | P04-5                | P004C(E)                  | 04-5CP20 | 04-5CPE    | 210    | 230        |
| K005        | 10.1                   | 5.8         | P05-6                | P005C(E)                  | 05-6CP25 | 05-6CPE    | 270    | 291        |
| K006        | 13.2                   | 8.3         | P06-7                | P006C(E)                  | 06-7CP30 | 06-7CPE    | 410    | 436        |

## Two-bolt flange units Set-screw type

KFL000 type

KFL000C(E) type



| Shaft dia. (mm) | Unit No.      | Dimensions (mm) |    |                |                |      |    |    |                |      |     |                |                | Mounting bolt size |
|-----------------|---------------|-----------------|----|----------------|----------------|------|----|----|----------------|------|-----|----------------|----------------|--------------------|
|                 |               | H               | J  | A <sub>1</sub> | A <sub>2</sub> | A    | N  | L  | A <sub>0</sub> | B    | S   | C <sub>1</sub> | Z <sub>s</sub> |                    |
| 10              | <b>KFL000</b> | 60              | 45 | 5.5            | 5.5            | 11.5 | 7  | 36 | 15.5           | 14   | 4   | 6              | 22             | M 6                |
| 12              | <b>KFL001</b> | 63              | 48 | 5.5            | 5.5            | 11.5 | 7  | 38 | 16             | 14.5 | 4   | 5.5            | 22             | M 6                |
| 15              | <b>KFL002</b> | 67              | 53 | 6.5            | 6.5            | 13   | 7  | 42 | 18.6           | 16.5 | 4.5 | 5              | 24             | M 6                |
| 17              | <b>KFL003</b> | 71              | 56 | 7              | 7              | 14   | 7  | 46 | 19.5           | 17.5 | 5   | 6              | 26             | M 6                |
| 20              | <b>KFL004</b> | 90              | 71 | 8              | 8              | 16   | 10 | 55 | 23             | 21   | 6   | 7.5            | 31             | M 8                |
| 25              | <b>KFL005</b> | 95              | 75 | 8              | 8              | 16   | 10 | 60 | 24.5           | 22.5 | 6   | 7              | 32             | M 8                |
| 30              | <b>KFL006</b> | 112             | 85 | 9              | 9              | 18   | 13 | 70 | 27             | 24.5 | 6.5 | 6.5            | 34             | M10                |

| Bearing     |                        |     | Housing No.   | Unit No. with covers | Stainless steel cover No. |         | Weight (g) |        |
|-------------|------------------------|-----|---------------|----------------------|---------------------------|---------|------------|--------|
| Bearing No. | Basic load rating (kN) |     |               |                      | Open(closed)              | Open    | Closed     | Normal |
|             | Cr                     | Cor |               |                      |                           |         |            |        |
| <b>K000</b> | 4.6                    | 2   | <b>FL000</b>  | <b>KFL000C(E)</b>    | 000CP10                   | 000CPE  | 50         | 55     |
| <b>K001</b> | 5.1                    | 2.4 | <b>FL001</b>  | <b>KFL001C(E)</b>    | 001CP12                   | 001CPE  | 70         | 74     |
| <b>K002</b> | 5.6                    | 2.8 | <b>FL002</b>  | <b>KFL002C(E)</b>    | 002CP15                   | 002CPE  | 90         | 95     |
| <b>K003</b> | 6                      | 3.3 | <b>FL003</b>  | <b>KFL003C(E)</b>    | 003CP17                   | 003CPE  | 115        | 121    |
| <b>K004</b> | 9.35                   | 5.1 | <b>FL04-5</b> | <b>KFL004C(E)</b>    | 04-5CP20                  | 04-5CPE | 190        | 200    |
| <b>K005</b> | 10.1                   | 5.8 | <b>FL05-6</b> | <b>KFL005C(E)</b>    | 05-6CP25                  | 05-6CPE | 220        | 231    |
| <b>K006</b> | 13.2                   | 8.3 | <b>FL06-7</b> | <b>KFL006C(E)</b>    | 06-7CP30                  | 06-7CPE | 340        | 356    |

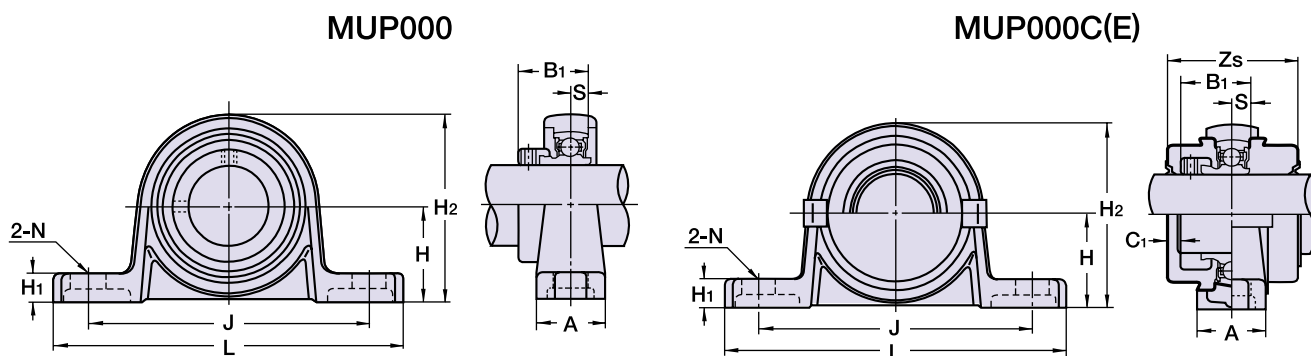
### ● Recommended tightening torque of set screws and axial load capacity

| Applicable bearing Nos. | Set-screw No. | Hexagon key No. | Tightening torque (N·m) | Axial load capacity (N) |
|-------------------------|---------------|-----------------|-------------------------|-------------------------|
| K000 , K001             | M3×0.35       | 1.5             | 0.59                    | 350                     |
| K002 , K003             | M4×0.5        | 2               | 1.47                    | 430                     |
| K004~K006               | M5×0.5        | 2.5             | 2.94                    | 720                     |

**Pillow blocks Eccentric locking collar type**

MUP000 type

MUP000C(E) type



| Shaft dia. (mm) | Unit No.      | Dimensions (mm) |     |     |    |    |                |                |                |     |                |                | Mounting bolt size |
|-----------------|---------------|-----------------|-----|-----|----|----|----------------|----------------|----------------|-----|----------------|----------------|--------------------|
|                 |               | H               | L   | J   | A  | N  | H <sub>1</sub> | H <sub>2</sub> | B <sub>1</sub> | S   | C <sub>1</sub> | Z <sub>s</sub> |                    |
| 10              | <i>MUP000</i> | 18              | 67  | 53  | 16 | 7  | 6              | 35             | 17.5           | 4   | 2              | 33             | M 6                |
| 12              | <i>MUP001</i> | 19              | 71  | 56  | 16 | 7  | 6              | 38             | 17.5           | 4   | 2              | 33             | M 6                |
| 15              | <i>MUP002</i> | 22              | 80  | 63  | 16 | 7  | 7              | 43             | 18.5           | 4.5 | 2              | 34             | M 6                |
| 17              | <i>MUP003</i> | 24              | 85  | 67  | 18 | 7  | 7              | 47             | 20.5           | 5   | 2              | 38             | M 6                |
| 20              | <i>MUP004</i> | 28              | 100 | 80  | 20 | 10 | 9              | 55             | 24.5           | 6   | 3              | 46             | M 8                |
| 25              | <i>MUP005</i> | 32              | 112 | 90  | 20 | 10 | 10             | 62             | 25.5           | 6   | 3              | 47             | M 8                |
| 30              | <i>MUP006</i> | 36              | 132 | 106 | 26 | 13 | 11             | 70             | 26.5           | 6.5 | 4              | 50             | M10                |

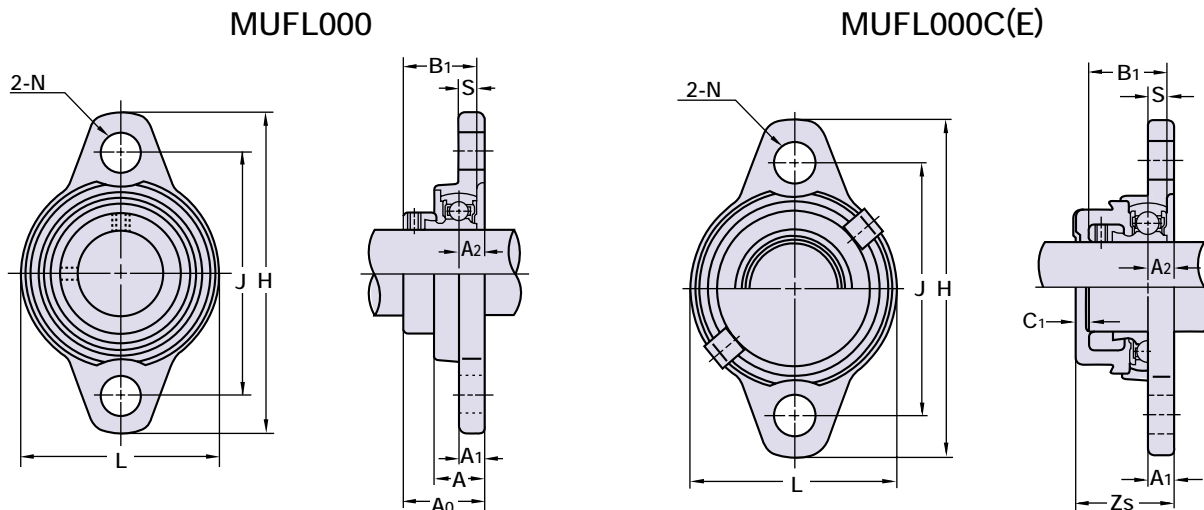
| Bearing No.     | Bearing                |      | Housing No.    | Unit No. with covers | Stainless steel cover No. |         | Weight (g) |        |
|-----------------|------------------------|------|----------------|----------------------|---------------------------|---------|------------|--------|
|                 | Basic load rating (kN) |      |                |                      | Open (closed)             | Open    | Closed     | Normal |
|                 | Cr                     | Cor  |                |                      |                           |         |            |        |
| <i>MU000+ER</i> | 3.9                    | 1.55 | <i>P000Z3</i>  | <i>MUP000C(E)</i>    | 000CP10                   | 000CPE  | 77         | 85     |
| <i>MU001+ER</i> | 4.3                    | 1.9  | <i>P001Z3</i>  | <i>MUP001C(E)</i>    | 001CP12                   | 001CPE  | 91         | 100    |
| <i>MU002+ER</i> | 4.75                   | 2.25 | <i>P002Z3</i>  | <i>MUP002C(E)</i>    | 002CP15                   | 002CPE  | 125        | 135    |
| <i>MU003+ER</i> | 5.1                    | 2.65 | <i>P003Z3</i>  | <i>MUP003C(E)</i>    | 003CP17                   | 003CPE  | 156        | 170    |
| <i>MU004+ER</i> | 7.9                    | 4    | <i>P04-5Z3</i> | <i>MUP004C(E)</i>    | 04-5CP20                  | 04-5CPE | 230        | 250    |
| <i>MU005+ER</i> | 8.6                    | 4.65 | <i>P05-6Z3</i> | <i>MUP005C(E)</i>    | 05-6CP25                  | 05-6CPE | 294        | 315    |
| <i>MU006+ER</i> | 11.3                   | 6.6  | <i>P06-7Z3</i> | <i>MUP006C(E)</i>    | 06-7CP30                  | 06-7CPE | 454        | 480    |



Two-bolt flange units Eccentric locking collar type

MUFL000 type

MUFL000C(E) type



| Shaft dia. (mm) | Unit No.       | Dimensions (mm) |    |                |                |      |    |    |                |                |     |                |                | Mounting bolt size |
|-----------------|----------------|-----------------|----|----------------|----------------|------|----|----|----------------|----------------|-----|----------------|----------------|--------------------|
|                 |                | H               | J  | A <sub>1</sub> | A <sub>2</sub> | A    | N  | L  | A <sub>0</sub> | B <sub>1</sub> | S   | C <sub>1</sub> | Z <sub>s</sub> |                    |
| 10              | <i>MUFL000</i> | 60              | 45 | 5.5            | 5.5            | 11.5 | 7  | 36 | 19             | 17.5           | 4   | 2              | 22             | M 6                |
| 12              | <i>MUFL001</i> | 63              | 48 | 5.5            | 5.5            | 11.5 | 7  | 38 | 19             | 17.5           | 4   | 2              | 22             | M 6                |
| 15              | <i>MUFL002</i> | 67              | 53 | 6.5            | 6.5            | 13   | 7  | 42 | 20.5           | 18.5           | 4.5 | 2              | 24             | M 6                |
| 17              | <i>MUFL003</i> | 71              | 56 | 7              | 7              | 14   | 7  | 46 | 22.5           | 20.5           | 5   | 2              | 26             | M 6                |
| 20              | <i>MUFL004</i> | 90              | 71 | 8              | 8              | 16   | 10 | 55 | 26.5           | 24.5           | 6   | 3              | 31             | M 8                |
| 25              | <i>MUFL005</i> | 95              | 75 | 8              | 8              | 16   | 10 | 60 | 27.5           | 25.5           | 6   | 3              | 32             | M 8                |
| 30              | <i>MUFL006</i> | 112             | 85 | 9              | 9              | 18   | 13 | 70 | 29             | 26.5           | 6.5 | 4              | 34             | M10                |

| Bearing No.       | Bearing                |      | Housing No.     | Unit No. with covers | Stainless steel cover No. |         | Weight (g) |        |
|-------------------|------------------------|------|-----------------|----------------------|---------------------------|---------|------------|--------|
|                   | Basic load rating (kN) |      |                 |                      | Open (closed)             | Open    | Closed     | Normal |
|                   | Cr                     | Cor  |                 |                      |                           |         |            |        |
| <i>MU000 + ER</i> | 3.9                    | 1.55 | <i>FL000Z3</i>  | <i>MUFL000C(E)</i>   | 000CP10                   | 000CPE  | 60         | 65     |
| <i>MU001 + ER</i> | 4.3                    | 1.9  | <i>FL001Z3</i>  | <i>MUFL001C(E)</i>   | 001CP12                   | 001CPE  | 76         | 80     |
| <i>MU002 + ER</i> | 4.75                   | 2.25 | <i>FL002Z3</i>  | <i>MUFL002C(E)</i>   | 002CP15                   | 002CPE  | 100        | 105    |
| <i>MU003 + ER</i> | 5.1                    | 2.65 | <i>FL003Z3</i>  | <i>MUFL003C(E)</i>   | 003CP17                   | 003CPE  | 129        | 135    |
| <i>MU004 + ER</i> | 7.9                    | 4    | <i>FL04-5Z3</i> | <i>MUFL004C(E)</i>   | 04-5CP20                  | 04-5CPE | 205        | 215    |
| <i>MU005 + ER</i> | 8.6                    | 4.65 | <i>FL05-6Z3</i> | <i>MUFL005C(E)</i>   | 05-6CP25                  | 05-6CPE | 244        | 255    |
| <i>MU006 + ER</i> | 11.3                   | 6.6  | <i>FL06-7Z3</i> | <i>MUFL006C(E)</i>   | 06-7CP30                  | 06-7CPE | 354        | 370    |

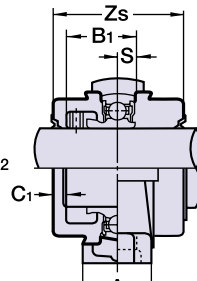
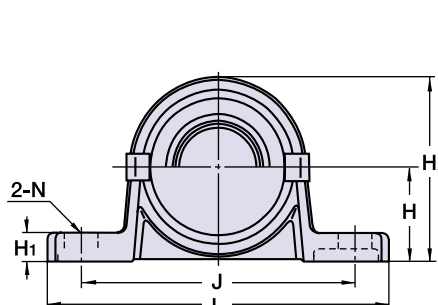
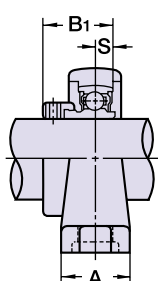
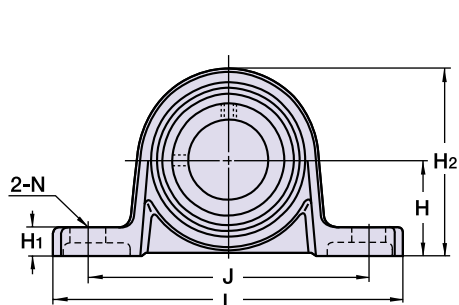
# "FD-GREASE" & "STAINLESS STEEL locking collar"

Ideal for Food Processing Machinery

## Pillow blocks

MUP000-U2 type

MUP000C(E)-U2 type



| Shaft dia. (mm) | Unit No.  | Dimensions (mm) |     |     |    |    |    |    |      |     |    |    | Mounting bolt size |
|-----------------|-----------|-----------------|-----|-----|----|----|----|----|------|-----|----|----|--------------------|
|                 |           | H               | L   | J   | A  | N  | H1 | H2 | B1   | S   | C1 | Zs |                    |
| 10              | MUP000-U2 | 18              | 67  | 53  | 16 | 7  | 6  | 35 | 17.5 | 4   | 2  | 33 | M 6                |
| 12              | MUP001-U2 | 19              | 71  | 56  | 16 | 7  | 6  | 38 | 17.5 | 4   | 2  | 33 | M 6                |
| 15              | MUP002-U2 | 22              | 80  | 63  | 16 | 7  | 7  | 43 | 18.5 | 4.5 | 2  | 34 | M 6                |
| 17              | MUP003-U2 | 24              | 85  | 67  | 18 | 7  | 7  | 47 | 20.5 | 5   | 2  | 38 | M 6                |
| 20              | MUP004-U2 | 28              | 100 | 80  | 20 | 10 | 9  | 55 | 24.5 | 6   | 3  | 46 | M 8                |
| 25              | MUP005-U2 | 32              | 112 | 90  | 20 | 10 | 10 | 62 | 25.5 | 6   | 3  | 47 | M 8                |
| 30              | MUP006-U2 | 36              | 132 | 106 | 26 | 13 | 11 | 70 | 26.5 | 6.5 | 4  | 50 | M10                |

| Bearing No.    | Bearing                |      | Housing No. | Unit No. with covers | Stainless steel cover No. |         | Weight (g) |        |
|----------------|------------------------|------|-------------|----------------------|---------------------------|---------|------------|--------|
|                | Basic load rating (kN) |      |             |                      | Open (closed)             | Open    | Closed     | Normal |
|                | Cr                     | Cor  |             |                      |                           |         |            |        |
| MUE000UL241MSG | 3.9                    | 1.55 | P000Z3      | MUP000C(E)-U2        | 000CP10                   | 000CPE  | 77         | 85     |
| MUE001UL241MSG | 4.3                    | 1.9  | P001Z3      | MUP001C(E)-U2        | 001CP12                   | 001CPE  | 91         | 100    |
| MUE002UL241MSG | 4.75                   | 2.25 | P002Z3      | MUP002C(E)-U2        | 002CP15                   | 002CPE  | 125        | 135    |
| MUE003UL241MSG | 5.1                    | 2.65 | P003Z3      | MUP003C(E)-U2        | 003CP17                   | 003CPE  | 156        | 170    |
| MUE004UL241MSG | 7.9                    | 4    | P04-5Z3     | MUP004C(E)-U2        | 04-5CP20                  | 04-5CPE | 230        | 250    |
| MUE005UL241MSG | 8.6                    | 4.65 | P05-6Z3     | MUP005C(E)-U2        | 05-6CP25                  | 05-6CPE | 294        | 315    |
| MUE006UL241MSG | 11.3                   | 6.6  | P06-7Z3     | MUP006C(E)-U2        | 06-7CP30                  | 06-7CPE | 454        | 480    |



When ordering, specify the unit number and bearing number as follows to indicate the combination of **FD-GREASE** and **STAINLESS STEEL** locking collar:

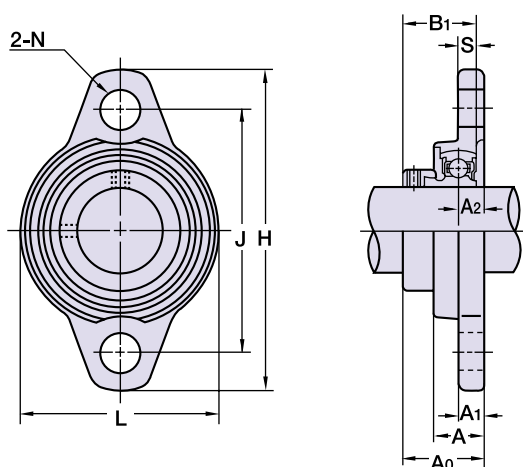
Examples :

Bearing Unit : MUP000-U2, MUFL000-U2

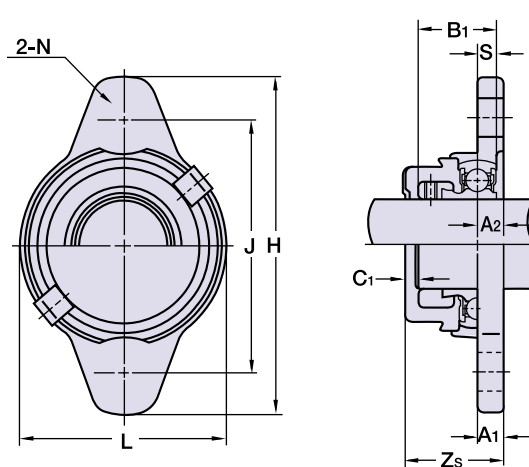
Insert Bearing with stainless steel locking collar : MUE000UL241MSG

## Two-bolt flange units

MUFL000-U2 type



MUFL000C(E)-U2 type



| Shaft dia. (mm) | Unit No.   | Dimensions (mm) |    |                |                |      |    |    |                |                |     |                |                | Mounting bolt size |
|-----------------|------------|-----------------|----|----------------|----------------|------|----|----|----------------|----------------|-----|----------------|----------------|--------------------|
|                 |            | H               | J  | A <sub>1</sub> | A <sub>2</sub> | A    | N  | L  | A <sub>0</sub> | B <sub>1</sub> | S   | C <sub>1</sub> | Z <sub>s</sub> |                    |
| 10              | MUFL000-U2 | 60              | 45 | 5.5            | 5.5            | 11.5 | 7  | 36 | 19             | 17.5           | 4   | 2              | 22             | M 6                |
| 12              | MUFL001-U2 | 63              | 48 | 5.5            | 5.5            | 11.5 | 7  | 38 | 19             | 17.5           | 4   | 2              | 22             | M 6                |
| 15              | MUFL002-U2 | 67              | 53 | 6.5            | 6.5            | 13   | 7  | 42 | 20.5           | 18.5           | 4.5 | 2              | 24             | M 6                |
| 17              | MUFL003-U2 | 71              | 56 | 7              | 7              | 14   | 7  | 46 | 22.5           | 20.5           | 5   | 2              | 26             | M 6                |
| 20              | MUFL004-U2 | 90              | 71 | 8              | 8              | 16   | 10 | 55 | 26.5           | 24.5           | 6   | 3              | 31             | M 8                |
| 25              | MUFL005-U2 | 95              | 75 | 8              | 8              | 16   | 10 | 60 | 27.5           | 25.5           | 6   | 3              | 32             | M 8                |
| 30              | MUFL006-U2 | 112             | 85 | 9              | 9              | 18   | 13 | 70 | 29             | 26.5           | 6.5 | 4              | 34             | M10                |

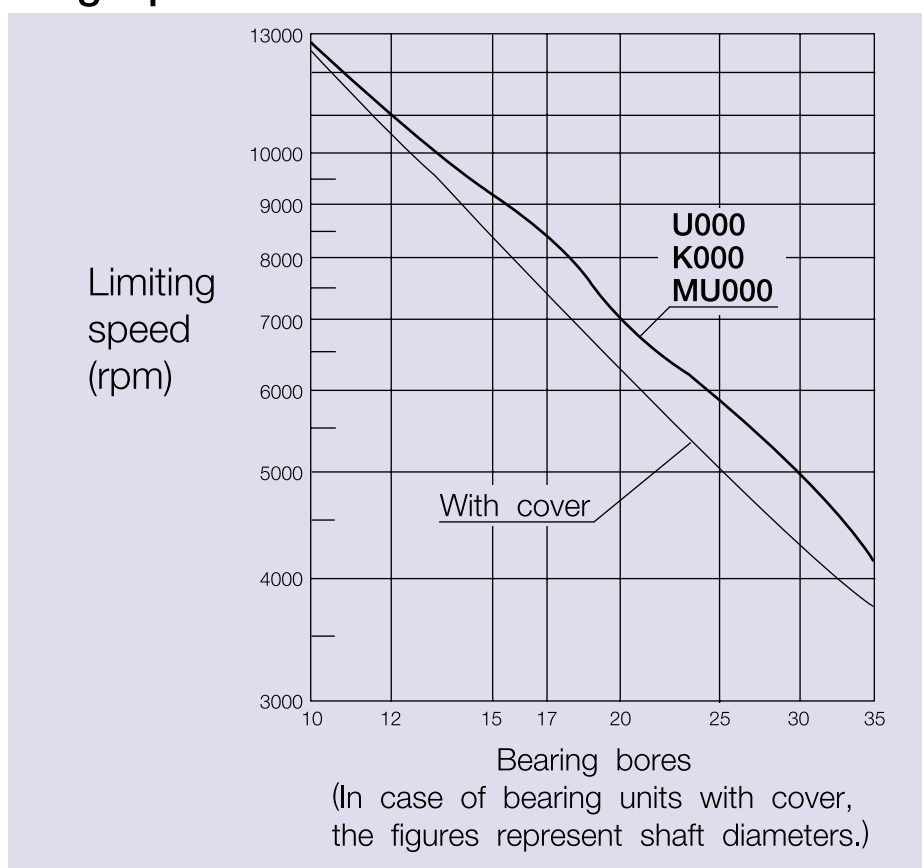
| Bearing No.    | Bearing                |      | Housing No. | Unit No. with covers | Stainless steel cover No. |         | Weight (g) |        |
|----------------|------------------------|------|-------------|----------------------|---------------------------|---------|------------|--------|
|                | Basic load rating (kN) |      |             |                      | Open (closed)             | Open    | Closed     | Normal |
|                | Cr                     | Cor  |             |                      |                           |         |            |        |
| MUE000UL241MSG | 3.9                    | 1.55 | FL000Z3     | MUFL000C(E)-U2       | 000CP10                   | 000CPE  | 60         | 65     |
| MUE001UL241MSG | 4.3                    | 1.9  | FL001Z3     | MUFL001C(E)-U2       | 001CP12                   | 001CPE  | 76         | 80     |
| MUE002UL241MSG | 4.75                   | 2.25 | FL002Z3     | MUFL002C(E)-U2       | 002CP15                   | 002CPE  | 100        | 105    |
| MUE003UL241MSG | 5.1                    | 2.65 | FL003Z3     | MUFL003C(E)-U2       | 003CP17                   | 003CPE  | 129        | 135    |
| MUE004UL241MSG | 7.9                    | 4    | FL04-5Z3    | MUFL004C(E)-U2       | 04-5CP20                  | 04-5CPE | 205        | 215    |
| MUE005UL241MSG | 8.6                    | 4.65 | FL05-6Z3    | MUFL005C(E)-U2       | 05-6CP25                  | 05-6CPE | 244        | 255    |
| MUE006UL241MSG | 11.3                   | 6.6  | FL06-7Z3    | MUFL006C(E)-U2       | 06-7CP30                  | 06-7CPE | 354        | 370    |

## ●Materials

| Series                   | SILVER                                    |                      | STAINLESS SILVER          |                          | STAINLESS SILVER & FD -grease(*)                              |
|--------------------------|---|----------------------|---------------------------|--------------------------|---|
| Unit No.                 | UP000,<br>UP000C(E),                      | UFL000<br>UFL000C(E) | MUP000,<br>MUP000C(E),    | MUFL000<br>MUFL000C(E)   | MUP000-U2,<br>MUP000C(E)-U2,<br>MUFL000-U2,<br>MUFL000C(E)-U2 |
|                          | KP000,<br>KP000C(E),                      | KFL000<br>KFL000C(E) | —————                     |                          | —————   |
| Bearing                  | High carbon chromium bearing steel (SUJ2) |                      | Stainless steel (SUS440C) |                          |   |
| Rubber seal              | Nitril rubber (NBR)                       |                      |                           |                          |   |
| Eccentric locking collar | Carbon steel for machine structure (S20C) |                      |                           | Stainless steel (SUS304) |   |
|                          | Black oxide treatment                     |                      | Electro plated            |                          |   |
| Set screw                | Chrome molybdenum steel (SCM435)          |                      | —————                     |                          | —————   |
| Housing                  | Zincalloy die-casting (ZDC)               |                      |                           |                          |   |
|                          | —————                                     |                      | Electro plated            |                          |   |
| Cover & clip             | Stainless steel (SUS430)                  |                      |                           |                          |   |

(\*) **FD-grease:** Authorized and accepted by USDA (United States Department of Agriculture) and approved as USDA H-1 grade grease.

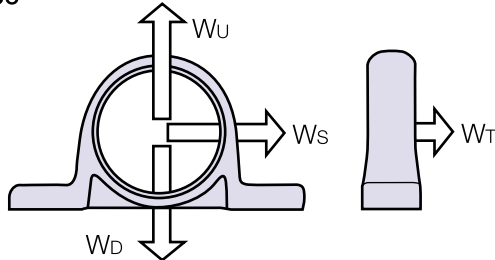
## ●Limiting speed



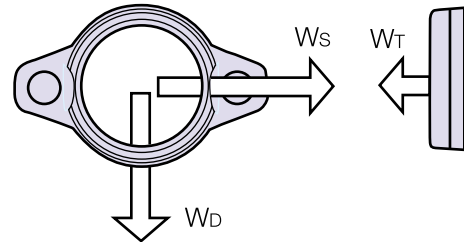
● Breaking strength of housings

Directions of load applied

P-type



FL-type



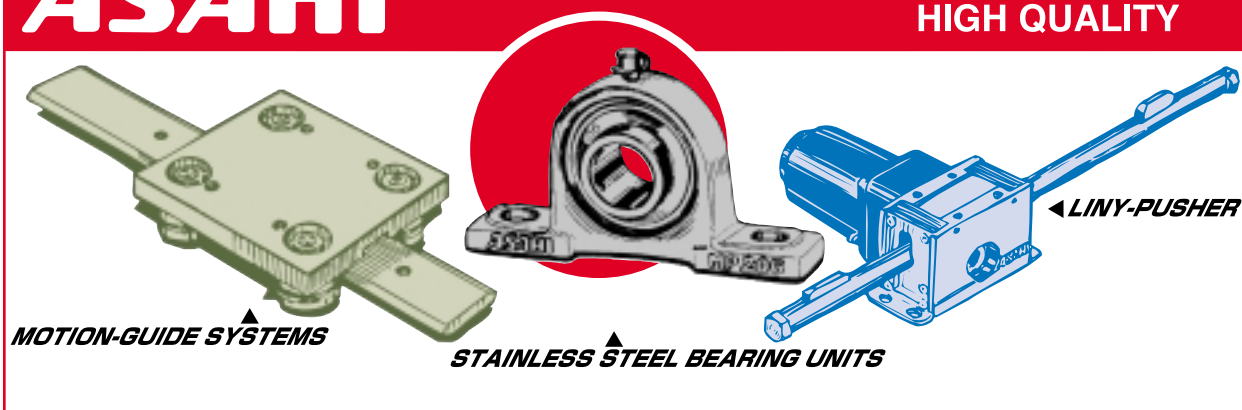
Unit : kN

|               | Housing No. | W <sub>U</sub> , W <sub>D</sub> | W <sub>S</sub> | W <sub>T</sub> | Housing No. | W <sub>D</sub> | W <sub>S</sub> | W <sub>T</sub> |
|---------------|-------------|---------------------------------|----------------|----------------|-------------|----------------|----------------|----------------|
| Silver Series | P000        | 7.06                            | 3.5            | 1.76           | FL000       | 7.06           | 3.5            | 1.76           |
|               | P001        | 7.55                            | 3.92           | 1.96           | FL001       | 7.55           | 3.92           | 1.96           |
|               | P002        | 8.62                            | 4.7            | 2.16           | FL002       | 8.62           | 4.7            | 2.16           |
|               | P003        | 9.41                            | 5.29           | 2.55           | FL003       | 9.41           | 5.29           | 2.55           |
|               | P04-5       | 12.2                            | 6.66           | 3.33           | FL04-5      | 12.2           | 6.66           | 3.33           |
|               | P05-6       | 14.9                            | 7.84           | 3.92           | FL05-6      | 14.9           | 7.84           | 3.92           |
|               | P06-7       | 19.8                            | 9.8            | 5.1            | FL06-7      | 19.8           | 9.8            | 5.1            |
|               |             |                                 |                |                | FL07-8      | 24.8           | 12.2           | 6.17           |

— Specifications are subject to change without prior notice —

# ASAHI

**VERSATILE &  
HIGH QUALITY**



<http://www.asahiseiko.co.jp>

## ASAHI SEIKO CO., LTD.

**FOREIGN TRADE DEPARTMENT** : 570-1, Otori-Higashi-machi 6-cho, Sakai City, Osaka 593-8324, Japan

Tel : +81-72-272-6900

Fax : +81-72-272-6903

e-mail address : [ex-1@asahiseiko.co.jp](mailto:ex-1@asahiseiko.co.jp)

e-mail address : [ex-2@asahiseiko.co.jp](mailto:ex-2@asahiseiko.co.jp)

**U.S.A. OFFICE** : P.O.Box 9108, 570 North Wheeling Road, Mount Prospect, Illinois 60056-9998 U.S.A.

Tel : +1-847-759-0620

Fax : +1-847-759-0630

**HEAD OFFICE & FACTORY** : 570-1, Otori-Higashi-machi 6-cho, Sakai City, Osaka 593-8324, Japan

Tel : +81-72-271-1221

Fax : +81-72-273-0058